



Accurate Kinetic Energy

No.11-3 Jianguo Rd., T.E.P.Z. 42760 Taiwan, ROC

All dimensions are millimeters.

CAD: TCR

Review: EG

Appr: JL

Page: 1/4 Date: May 07,2024

Specification Title:

Ultra Low Voltage

Temperature Compensated

Crystal Oscillator

Ultra Low Voltage TCXO - Ceramic Package

2.5 x 2.0 millimeter Surface Mount

Part Number:

TX22ED Series

Electrical Specifications:

Frequency Range		13.000 to 52.000	MHz
Frequency Tolerance		±2.0	ppm Max.
Frequency Stability vs. Operating Temperature		±0.5 ~ ±2.0	
Frequency Stability vs. Supply Voltage Change		±0.2	
Frequency Stability vs. 10% Load Change		±0.2	
Aging per Year		±1.0	
Operating Temperature Range	Standard	-30 to +85	°C
	Extended	-40 to +85	
Storage Temperature Range		-55 to +125	
Supply Voltage		1.2 ± 5%	VDC
Input Current		2.5	mA Max.
Output Level		0.8	Vp-p Min.
Output Waveform		Clipped Sinewave	
Output Load		10KΩ // 10pF	
Phase Noise	@ 100Hz Offset	-115	dBc/Hz Typ.
	@ 1KHz Offset	-133	
	@ 10KHz Offset	-146	
Enable-Disable Function		Tri-State	
Input Enable Voltage		70%	VDD Min.
Input Disable Voltage		30%	VDD Max.
Start Up Time		2	ms Max.

RoHS Compliant
Pb - Lead Free

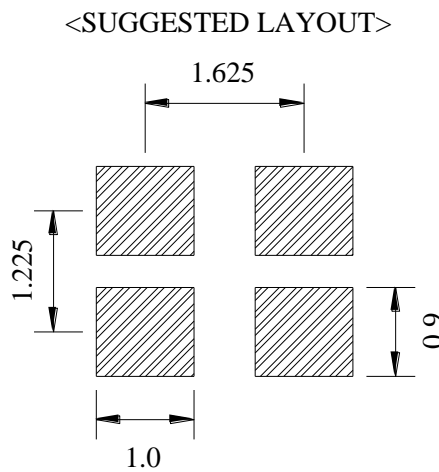
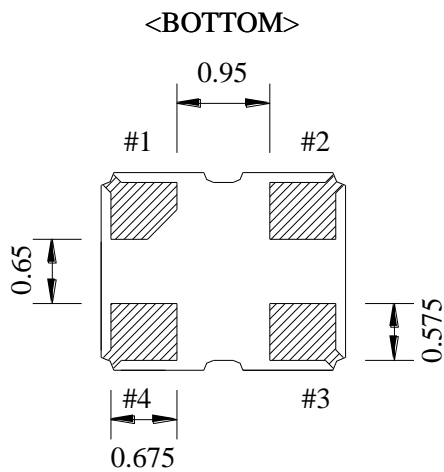
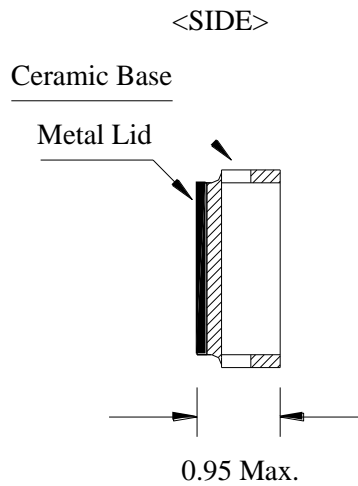
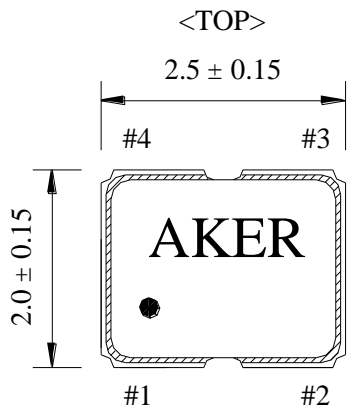
Ltr

Revisions

Date

Appr

Mechanical Outline and Solder Pad Layout:



PIN No.	Connection
#1	Enable/Disable
#2	GND
#3	Output
#4	VDC

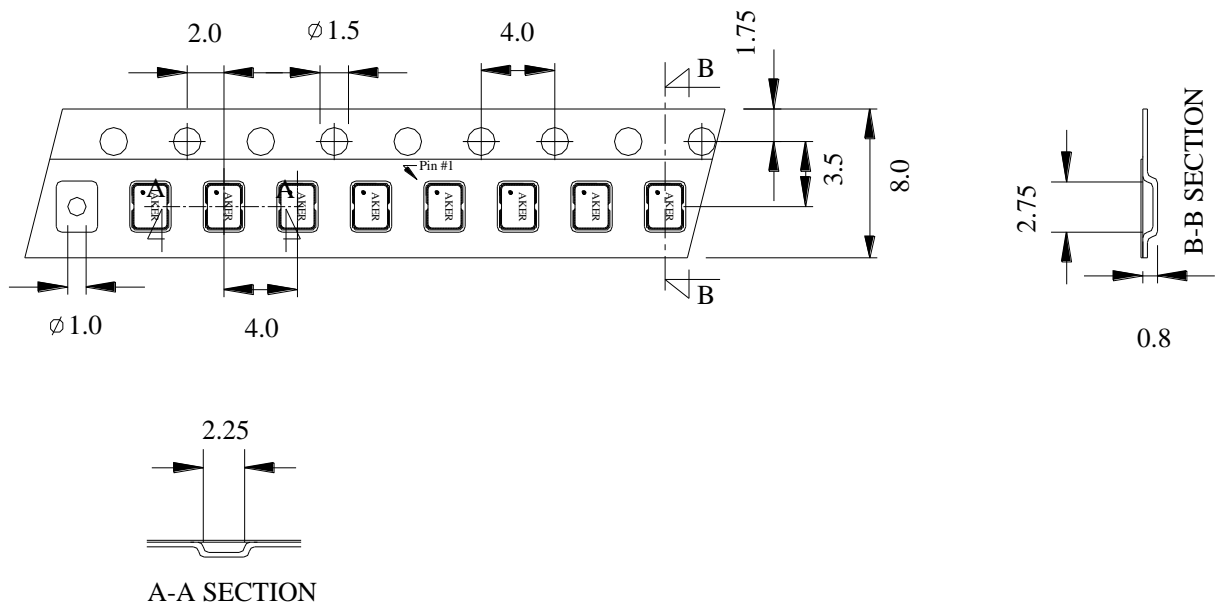
Enable/Disable Function	
PIN #1	PIN #3
HIGH	Operating
LOW	High Impedance

Package is Seam Sealed Ceramic-Metal.

Dimensions are millimeters.

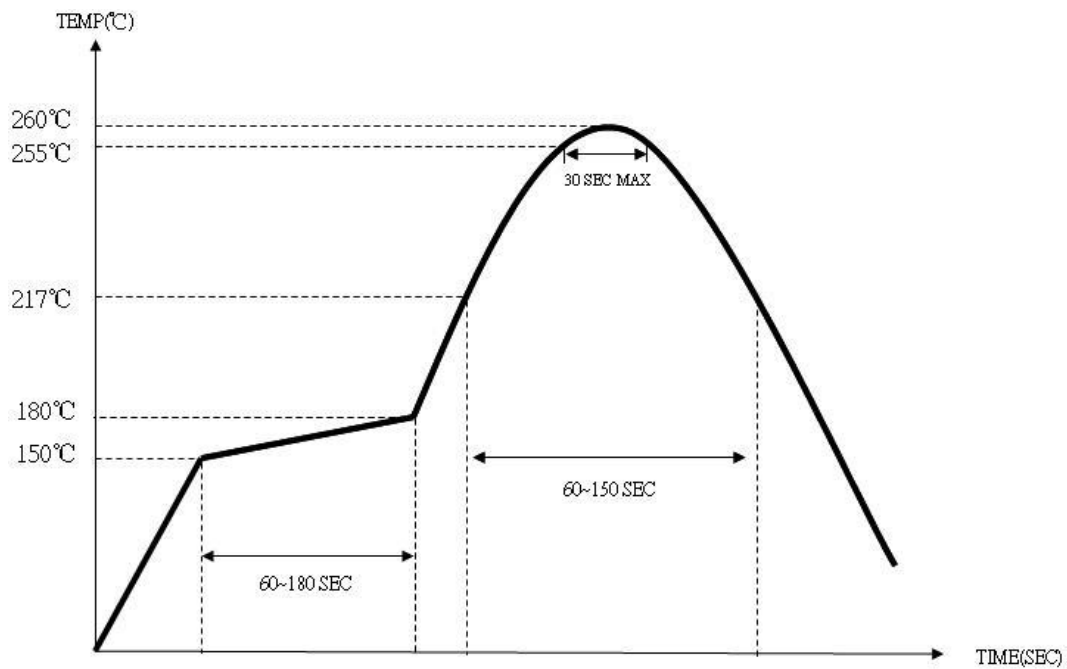
PIN #1 don't use open.

Carrier Tape Dimensions:



Dimensions are millimeters.

Solder Reflow Characteristics:



How to build a Part Number:

Series	TX	Parameter
Package	22	2.5 x 2.0 mm
PIN #1	ED	Enable / Disable
-		
Supply Voltage	12	1.2 VDC ± 5%
-		
Temperature Stability	005	±0.5 ppm
	010	±1.0 ppm
	020	±2.0 ppm
-		
Output Waveform	S	Clipped Sinewave
-		
Frequency	13.000~52.000	MHz
-		
Temperature Range	See Notes	-30 to +85 °C
	X	-40 to +85 °C
-		
Packaging	R	1000pcs Reel
	R3	3000pcs Reel

Part Number Example:

TX22ED-12020S-26.000-X-R

TX22ED: 2.5 x 2.0 mm SMD Package

12: +1.2 VDC Supply Voltage

020: ±2.0 ppm Temperature Stability

S: Clipped Sinewave Output

26.000 MHz Nominal Frequency

X: -40 to + 85°C Temperature Range

R: Tape and Reel Packaging

Notes:

- 1- Standard Temperature Range do not need to be included in Part Number description.
- 2- Product is shipped in Tape and Reel configuration.
- 3- Quantities less than 1000 pieces are shipped bulk in ESD pouches.
- 4- Specification subject to change without notice.